

EN CKG product information sheet**CKG**

Classic gas cooktop

General product information:

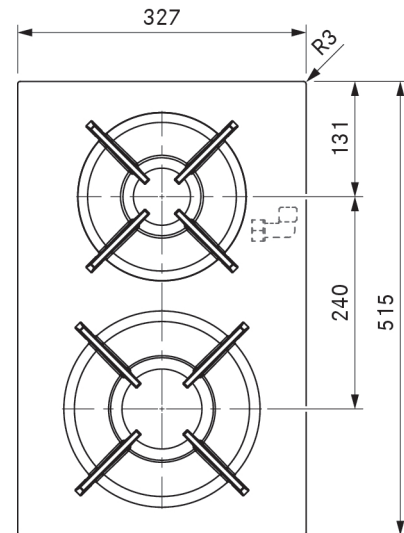
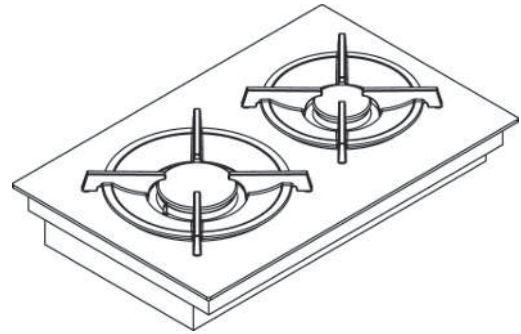
Product:	Gas cooktop for the modular cooktop extractor system BORA Classic 2.0.
Product highlights:	Intuitive touch controls on the cooktop extractor operating panel, fully flush-mounted cooktop and extractor
Safety and warning information:	See operating and installation instructions

CKG

Classic gas cooktop

Technical data

Supply voltage	220-240 V
Frequency	50-60 Hz
Maximum power consumption	5000 W
Maximum power rating	20 W
Fuse protection	1 × 0.5 A
Mains supply cable length	1.5 m
Dimensions (width × depth × height)	327 × 515 × 73 mm
Weight (incl. accessories/packaging)	10.8 kg
Surface material	Glass ceramic
Cooktop power levels	1-9, P
Size of front cooking zone	Ø 240 mm
Size of rear cooking zone	Ø 200 mm
Front cooking zone output (high-power burner)	800-3000 W
Rear cooking zone output (normal burner)	550-2000 W
Size of front pan support	270 × 270 × 25/50 mm
Size of rear pan support	235 × 235 × 25/50 mm
Gas connection	1/2" internal thread



Product description

- Compact size
- Minimalist design
- Sunken gas burner
- Automatic re-ignition
- Dishwasher-safe pan supports
- Precise electronic control

Functions

- Power setting
- Cooking zone timer
- Automatic heat-up function
- Heat retention function
- Pause function
- Cleaning lock

Safety features

Child lock, residual heat indicator, overheating protection, safety shut-down

Scope of delivery

Gas cooktop CKG, 2 × cast-iron grates, nozzle set for natural gas G20/20 mbar, mains supply cable, installation accessories

Accessories

(BORA gas nozzle set - also see page 159)

- BORA gas nozzle sets for natural gas: G20/10 mbar PKGDS2010, G20/13 mbar PKGDS2013, G20/20 mbar PKGDS2020, G25/20 mbar PKGDS2520, G20/25 mbar PKGDS2025, G25/25 mbar PKGDS2525
- BORA gas nozzle sets for liquid gas: G30/G31 28-30/37 mbar PKGDS3028, G30/G31 50 mbar PKGDS3050
- BORA burner set PKGBS
- BORA small pan support PKGTK / BORA large pan support PKGTG

Product and planning information

- Sufficient ventilation below the cooktop must be ensured (opening cross-section in unit front > 50 cm² / plinth area > 150 cm²)
- The gas connection hose must be provided at the installation site
- Return flow aperture in the plinth area required in recirculation mode (opening cross-section > 1000 cm² per air purification unit)
- Please note the local regulations and connection requirements applicable to gas cooktops
- Please note the special guidelines regarding the installation and use of the gas cooktop (see operating and installation instructions)
- Use with a cooktop extractor can influence the following aspects: Gas flame (depending on the cooktop extractor power level), performance characteristics (e.g. gas cooktop heating times, efficiency, etc.), heat input and heat distribution.
- With installation versions with several cooktop extractors, the gas cooktop must be installed on one of the outer sides (never in the middle).
- Minimum requirement for gas cooktop CKG: system software 03.00 (or higher)
- Unit width of 900 mm required if the gas cooktop is installed to the right of the cooktop extractor

