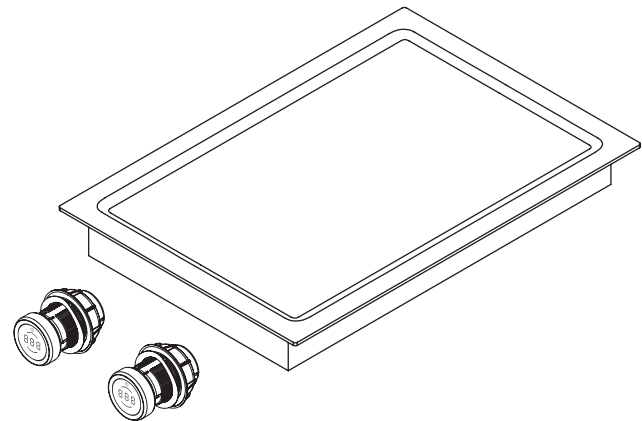
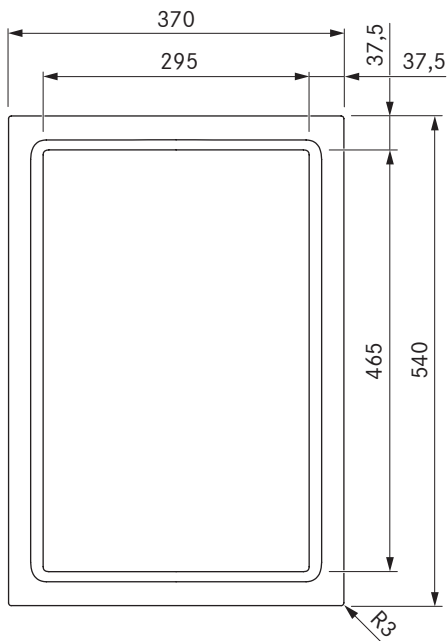
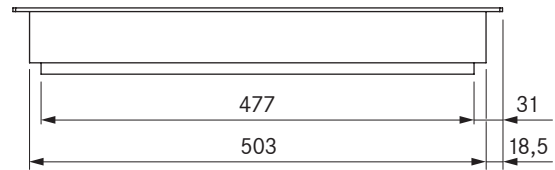
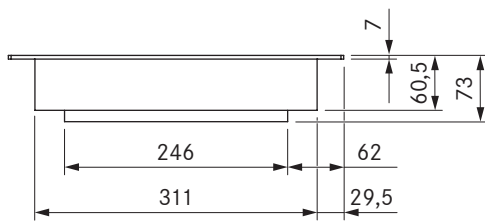


PKT3 / PKT3AB



Pro Tepan stainless steel grill with 2 cooking zones
 Pro Tepan stainless steel grill with 2 cooking zones All Black



Technical data

Supply voltage	380 - 415 V 2N
Frequency	50 - 60 Hz
Maximum power consumption	4.8 kW
Maximum power rating	4.8 kW
Minimum fuse protection	2 x 16 A
Power supply cable length	1,5 m
Dimensions (width x depth x height)	370 x 540 x 73 mm
Weight (incl. accessories/packaging)	15.8 kg
Surface material	Stainless steel, brushed
Temperature control range	70 - 250°C
Size of front cooking zone	295 x 230 mm
Size of rear cooking zone	295 x 230 mm
Bridged cooking zone dimensions	295 x 460 mm
Front cooking zone output	2400 W
Rear cooking zone output	2400 W
Bridged cooking zone power	4800 W

Product description

- Intuitive control knob
- Accurate temperature control
- Accurate temperature display
- Rapid heating
- Stainless steel grill area with two cooking zones
- Designed for optimum cleaning
- Cleaning function
- Childproofing feature
- bridging function
- Demo mode

Scope of delivery

- Tepan stainless steel grill PKT3 / PKT3AB
- 2 x control knobs
- 2 x connection cables for the control knobs
- Connection cable to the extractor
- operating and installation instructions
- PPTS 1 Tepan scraper
- height adjustment plate set
- mounting straps
- power supply cable (1,5m)

Product- and planning instructions

- Ensure sufficient ventilation of the area below the cooktop.