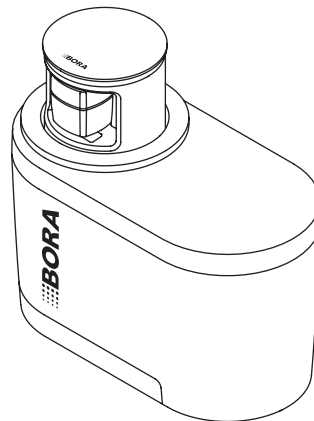
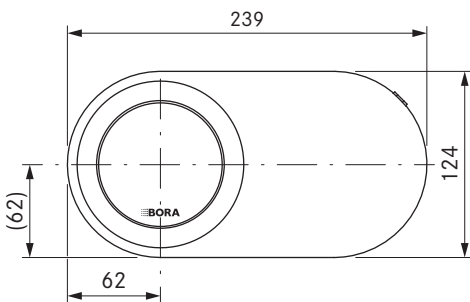
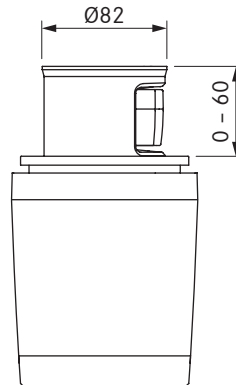
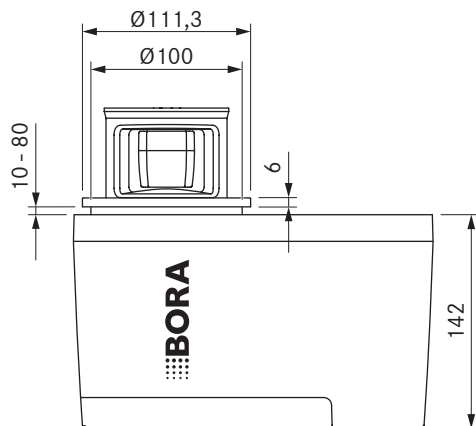


QVac Vacuum set Stainless Steel

QVac Vacuum set All Black



Technical data

Supply voltage	100 - 240 V
Frequency	50 - 60 Hz
Maximum power consumption	24 W
Power supply cable length	2 m
Suction power	≈ 10 l/min
Maximum vacuum pressure	-90 kPa
Dimensions (width x depth x height)	239 x 124 x 142 mm
Weight (incl. accessories/packaging)	3,48 kg
Surface material	stainless steel
Vacuum hose extension length	400 mm

Product description

- Unique installation concept
- Ultra-rapid marinating
- Keep liquids fresh for longer
- Pop-up unit with automatic on/off function
- Extendable vacuuming head (400mm)
- 3 function keys for different vacuuming programmes
- Audiovisual operating concept

Scope of delivery

- 1x QVac Built-in vacuum unit
- 1x QVac Vacuum box 1l
- 1x QVac Vacuum box 2l
- 1x QVac Marinate ring
- 2x QVac Vacuum closure
- 5x QVac Vacuum bags 0,6l
- 5x QVac Vacuum bags 1,5l
- 5x QVac Vacuum bags 2,1l
- 15x Freezer sticker for vacuum bag
- 1x Power supply cable EU (2m)
- Operating and installation instructions

Accessories

- QVac Vacuum boxes 2x 1l QVACVBO1
- QVac Vacuum boxes 2x 2l QVACVBO2
- QVac Vacuum closure 2 pcs. QVACVV
- QVac Marinate ring QVACMR
- QVac Vacuum bags 15x 0,6l QVACVBE1
- QVac Vacuum bags 15x 1,5l QVACVBE2
- QVac Vacuum bags 15x 2,1l QVACVBE3
- QVac Vacuum bags Set (5x 0,6l, 5x 1,5l, 5x 2,1l) QVACVBES
- Power supply cable UK (2m)

Product- and planning instructions

- Standard installation is with the connections facing forward.
- The housing must remain accessible for maintenance work.
- For thinner worktops, a substructure is necessary.
- For flush mounting, the worktop must be at least 10 mm thick.